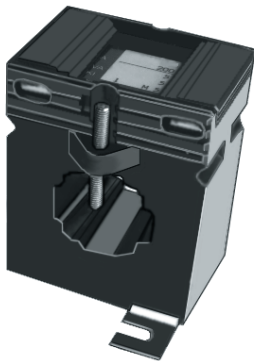


Measuring-Transducer for AC-Current

WS and AS



Current-Transformer Type WS



Current-Transformer Type AS

These current monitors require a current transformer with a 1 or 5 A secondary and a rated capacity of 2.5 VA as signal transmitter. The primary rated current must be appropriate to the current to be monitored. Plug-in or winding current transformers can be used. We recommend the use of WS winding current transformers for primary rated currents of 5 to 30 A. For primary rated currents of 60 to 500 A we recommend using AS plug-in current transformers, suitable for the Cu-rail of 30 x 10 mm or 2 x 20 x 10 mm or round conductor of 28 mm. Both transformers have a Class 1 accuracy and a voltage resistance of up to 800 V. When ordering, please indicate desired type (WS or AS) and primary or secondary rated current.

Terminal designation
primary: K/L secondary: k/l

The following winding current transformers type WS are available:

Class 1, 2.5 A

WS5/1 A	S225178
WS10/1 A	S225179
WS20/1 A	S225180
WS30/1 A	S225688

WS5/5 A	S225182
WS10/5 A	S225183
WS20/5 A	S225184
WS30/5 A	S225689

The following **AS plug-in current transformers** are available:

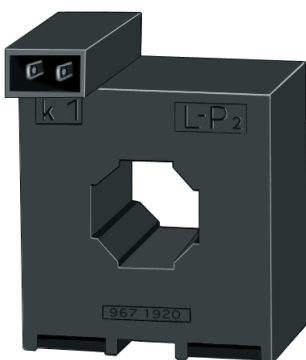
Class 1, 2.5 A

AS60/1 A	S225170
AS100/1 A	S225171
AS200/1 A	S225172
AS500/1 A	S225173

AS60/5 A	S225174
AS100/5 A	S225175
AS200/5 A	S225176
AS500/5 A	S225177

Weight approx. 300 g
Other values upon request!

Current-Voltage-Transformer ASS500/5 0 - 500 A, 5 mV/A



The ASS500/5 plug-in-current-voltage transformer is a measuring transformer with high linearity for currents up to AC 500 A and an output signal of 5 mV per ampere. Its maximum error is 1% of the measured value. The instrument is simply plugged onto the current-carrying conductor.

ZIEHL MINIPAN instrument panels are suitable for direct connection to the ASS500/5. Different primary current ranges can be monitored by ZIEHL current monitors, e.g. the STW201S and STWMU201S current measuring monitors with corresponding voltage inputs for the ASS500/5.

The ASS500/5V is not overloadable.

Order number: **S225168**

Application:

The ASS500/5 is of use where currents within a wide range need to be monitored, and high short-circuit currents can also occur. Currents up to 6 kA can be measured provided that an appropriate monitor range has been selected.

In practice, when capturing low currents in the monitored line, a distortion of the measuring value can occur due to high-level currents in adjoining conductors. This can be avoided by a suitable mechanical arrangement of current conductors and transformers.

The output voltage is dephased in quadrature (90°) compared to the current to be measured.

- 1 transformer type for rated currents of 0 - 10 A up to 0 - 500 A
- linear output signal even in case of multiple (up to 12-fold = 6 kA) overload
- output signal of 5 mV/A
- not overloadable
- error < 1 % of measuring value
- suitable for current rails of 10 x 20 mm or round conductors of \varnothing up to 22.5 mm
- Internal resistance < 450 Ω
- Input resistance of the evaluation instrument min. 10 k Ω (adjusted to 10 k Ω)
- Weight approx. 180 g