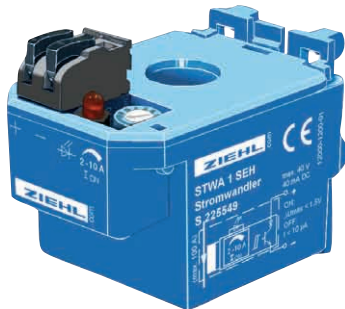


# AC-Electronic Current Transformer STWA1SEH

adjustable 2...10 A, with transistor-output

**STWA1SEH**  
Electronic current transformer with fixed switching-point 2...10 A



The STWA1SEH has an integrated electronic with transistor-output.

The switching point is adjustable 2-10A. Above switching-point the output transistor is switched on, below it is off.

The conductor is simply pushed through the transformer. Multiple loops reduce the switching point correspondingly, for instance to 0.5-2,5 A with four loops. A supply voltage is not required.

For monitoring of higher currents, the STWA1SEH is simply looped into the secondary current of big current transformers.

Application: The STWA1SE is used where AC current flow is to be detected in a conductor, e.g. to give a warning if a defined current value is exceeded or not reached, or to switch off a machine or to simply report the current flow.

- adjustable switching limit 2...10 A
- isolated transistor-output max. DC 40 V/40 mA
- output can be directly connected to the digital input of a PLC
- LED for display state of output
- integrated diode for reverse voltage protection
- electrical connection via screwless pluggable terminals
- no supply voltage required
- plug-in current transformer (Ø 11 mm)
- max. overload 100 A continuously, 300 A / 10 s

Order-number

**S225550**

Switching point at  $T_u = 25^\circ\text{C}$   
Hysteresis  
Repeat accuracy  
Temperature dependence  
Overload cap. continuous / 10s

AC 2...10 A  $\pm 25\%$   
5...30 %  
 $\pm 2\%$   
< 0,06%/K  
100 A / 300 A

Output voltage/current max.  
Voltage drop (ON)  
Leak current (OFF)  
Switch-on /switch-off delay

DC 40 V / 40 mA  
max. 3 V  
max. 0,6 mA  
0,2...2s /  $\leq 0,3$  s

nominal frequency  
operating range  
error

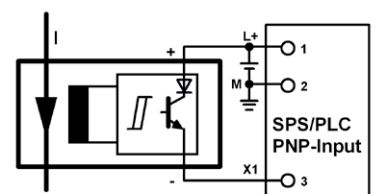
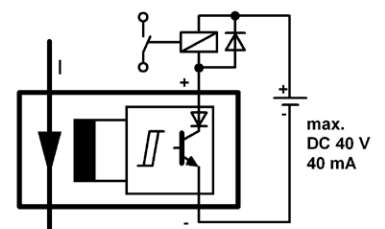
50 Hz  
30...70 Hz  
 $\leq 3\%/Hz$

rated ambient temperature range

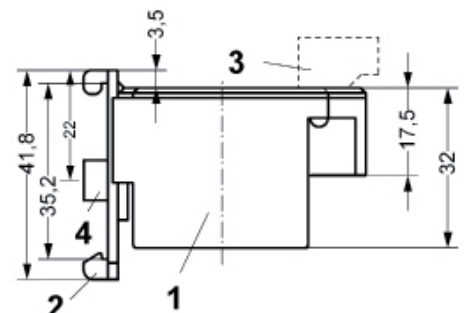
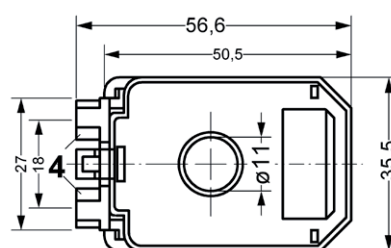
-20...+50°C

Housing  
Dimensions (h x w x d)  
Diameter for conductor  
Weight

Design H  
50 x 36 x 56 mm  
11 mm  
app. 90 g



## Dimension illustrations



- 1 Housing
- 2 Clip for DIN-rail (removeable)
- 3 Terminal (pluggable)
- 4 Wall-mounting (M4)