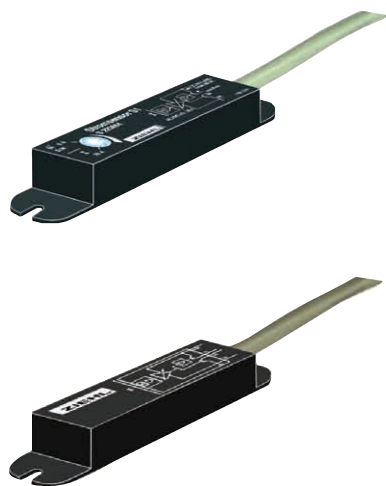


Current Sensor for AC- and DC-Currents

Put-on sensor with transistor-output

Current Sensor S1 for AC- und DC-Ströme



The current sensor S1 records the current in a cable with a hall-sensor. At currents of app. 5 A (adjustable version 5-30 A) the transistor-outputs switch and report a current in the monitored cable.

The current sensor can be fixed with a cable fastener (apply to only 1 cable). Thus it can be mounted subsequently without disconnecting the cable.

As supply-voltage DC 24 V are required (e.g. ZIEHL-power-supply NG 4 V).

The current sensor can be connected to ZIEHL current-relays for current detection yes/ no ant to ZIEHL controls for dedusting plants. The connection to a digital input of a PLC also is possible. For easy change from cable to cable, for example at welding devices, a version with a 90° twisted sensor is available for mounting in a tong.

Application:

Recording of welding currents (mounting at ground wire) for controlling dedusting plants in combination with ZIEHL-controls type STW.

Recording of the state of a consumer of electricity (on or off or defective).

In general the current sensor S1 is used where the current flow is

to be detected, with the exact value of the current either known from the power consumption of the connected consumer or does not matter for the evaluation.

For evaluation of measuring data in more than 1 cable, the outputs of several current sensors can be connected in parallel (or-evaluation).

- switching point app. 5 A (option: adjustable 5-30 A)
- LED for current flow
- monitoring of AC and DC currents
- mounting without disconnection of cable possible
- 2 transistor-outputs, switching + and direct connection to a PLC possible
- connection to current-relays ZIEHL type STW
- robust, sealed execution
- overload capacity: unlimited
- test-voltage 2,5 kV

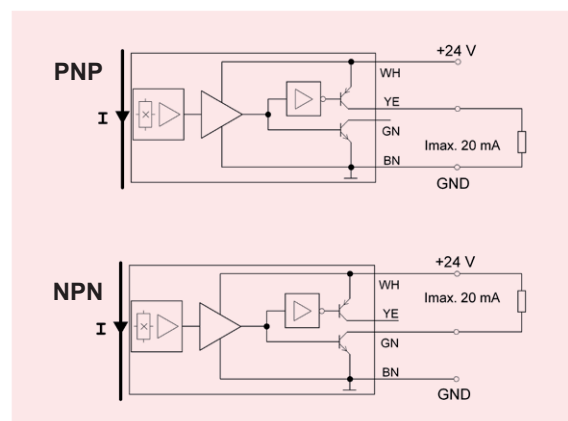
Order-number:

Current Sensor S1, 5 A fixed

S225693

Current Sensor S1, 5-30 A adjustable

S225694



Technical Data

Supply voltage U_s
Switching point at $T_u = 25^\circ\text{C}$
Hysteresis
Tolerance
Repeat accuracy
Temperature-dependance
Max. measuring current
Frequency of measured current

DC 24 V $\pm 20\%$, 15 mA
<AC/DC 5 A (option: adjustable 5-30 A)
app. 15%
 $\pm 10\%$
 $\pm 2\%$
< 0,06%/K
unlimited
0 / 10 ... 400 Hz

Output 1
Output 2
On- / off-delay

DC 24 V, + switching, max. 10 mA
DC 24 V, - switching, max. 10 mA
app. 300 ms

Rated ambient temperature range
Dimensions (l x w x h)
Cable for connection
Attachmant
Weight

0...55°C
75 x 16,5 x 10 mm
app. 2 m, 4 x 0,34 mm²
e.g. with cable fastener (not included)
app. 150 g (cable included)