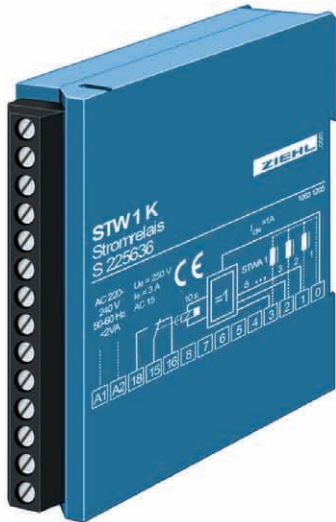


# Current-Relay STW1K

## AC-Detection, OR-Evaluation of 1-8 Transformers

STW1K



Current relay in OR evaluation with 8 inputs, designed e.g. for controlling of suction plants in the timber and plastics processing industry.

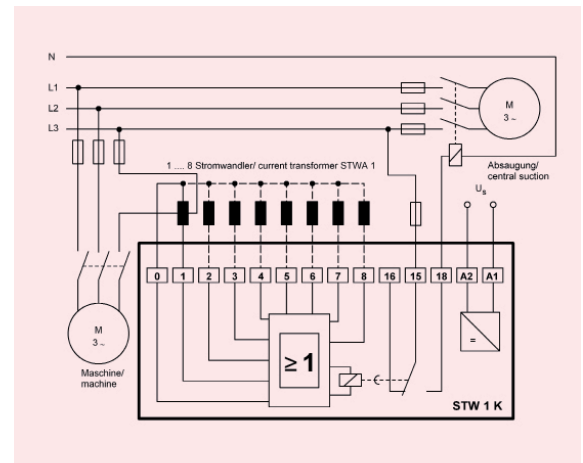
When there is an AC-current  $>1$  A through one of up to 8 connected transformers STWA 1, the integrated relay (1co) picks up. When all currents are 0, the relay releases with a delay of approx. 10s. This enables a run-after of the central suction.

- 8 inputs
- OR-evaluation
- relay picks up if at least 1 input is activated
- operating value approx. 1 A
- turn-off delay approx. 10 s
- not necessary inputs remain open
- options:
  - switch-on delay 3 s
  - without switch-off delay

Order-number:

AC 220 - 240 V

S225636



2

### Technical Data

Rated supply voltage  $U_s$ AC 220 - 240 V  $+10-15\%$ ,  $< 3$  VA, 50/ 60 Hz

Transformer input  
 Overload cap.continuous/max 10s  
 Function  
 Switching point on  
 Switching point off  
 Switch-off delay  
 Switch-on delay

1...8, type STWA , order-number S 225201  
 100 A / 300 A  
 OR-evaluation  
 $\leq$  AC 1 A  
 $>$  AC 0,3 A  
 approx. 10 sec.  
 approx. 0,5 sec.

Output relay  
 Type of contact  
 Test conditions  
 Rated ambient temperature range

1 change-over contact (co)  
**type 2**, see "general technical informations"  
 see "general technical informations"  
 $-20^{\circ}\text{C} \dots +55^{\circ}\text{C}$

Dimensions (h x w x d)  
 Attachment

Design K: 75 x 22.5 x 115 [ mm ]  
 on 35 mm DIN rail according to DIN EN 60715  
 or with screws M4 (option)

Protection housing / terminals  
 Weight

IP 30 / IP 20  
 approx. 140 g